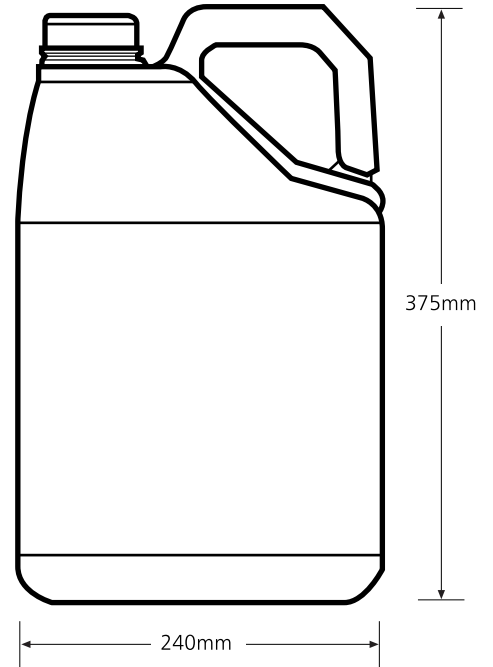


AGROCHEM 10L HDPE & Coex Barrier



Container

Size	Material	Label Area	Weight	Neck Finish	UN Approval	No. Pallet
10L	HDPE & Coex Barrier	2 Panels 185mm (h) x 185mm (w)	350g & 400g	63mm	Grp II SG1.4	162 & 180

Applications:

Agrochemical, Industrial, Janitorial / Cleaning Chemicals

Nexus Packaging Ltd.

7 Centurion Business Park, Shields Road, Glasgow, G41 1HH

Tel: 0141 429 2525 | Fax: 0141 429 2060 | Email: admin@nexpack.co.uk

REGISTERED IN SCOTLAND: No. SC262044 | VAT No. 829 6449 83