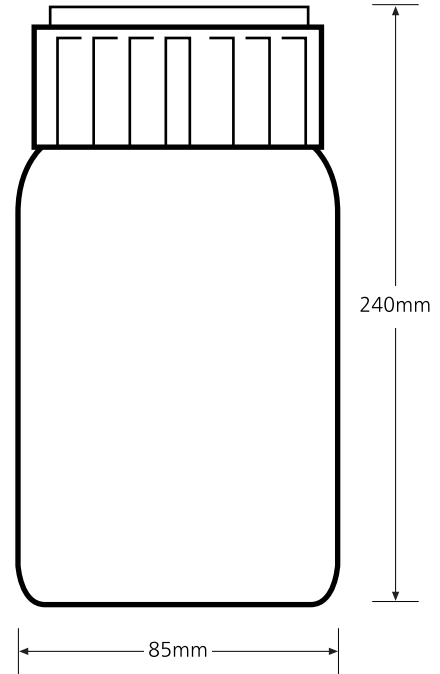


AGROCHEM 1L HDPE & Coex Barrier



Container

Size	Material	Shape	Weight	Neck Finish	UN Approval	No. Pallet
1L	HDPE & Coex Barrier	Round	83g	63mm	Grp II SG1.3	790

Closure

Size	Material	Description	Weight	Neck Finish	UN Approval	No. Box
65mm	HDPE & PP	Induction Heat Sealed (IHS) Plug Seal	20g	63mm	Yes	750

Applications:

Agrochemical, Industrial, Janitorial / Cleaning Chemicals

Nexus Packaging Ltd.

7 Centurion Business Park, Shields Road, Glasgow, G41 1HH

Tel: 0141 429 2525 | Fax: 0141 429 2060 | Email: admin@nexpack.co.uk

REGISTERED IN SCOTLAND: No. SC262044 | VAT No. 829 6449 83