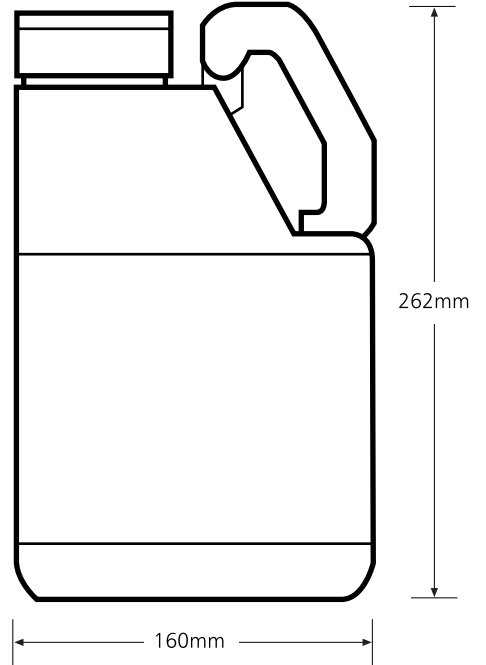


AGROCHEM 3L



Container

Size	Material	Label Area	Weight	Neck Finish	UN Approval	No. Pallet
3L	HDPE	2 Panels 156mm (h) x 140mm (w)	130g	63mm	Pending	264

Applications:

Agrochemical, Industrial, Janitorial / Cleaning Chemicals

Nexus Packaging Ltd.

7 Centurion Business Park, Shields Road, Glasgow, G41 1HH

Tel: 0141 429 2525 | Fax: 0141 429 2060 | Email: admin@nexpack.co.uk

REGISTERED IN SCOTLAND: No. SC262044 | VAT No. 829 6449 83