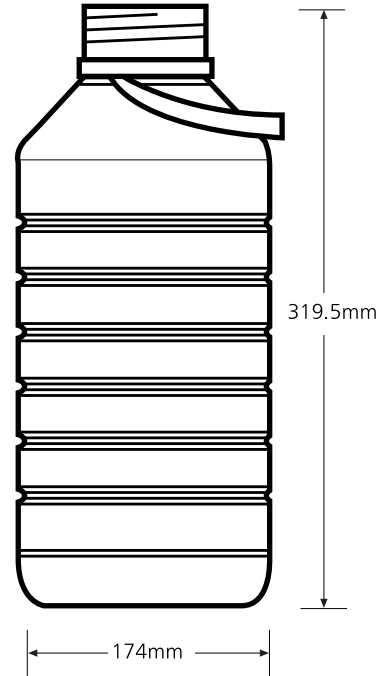


## AGROCHEM 5L PET



### Container

Size	Material	Shape	Label Area	Weight	Neck Finish	UN Approval	No. Pallet
5L	PET	Round w/ Separate handle	Label area available	121g	63mm	Grp II SG1.8	144

### Applications:

Agrochemical, Automotive, Industrial, Janitorial / Cleaning Chemicals, Edible Oils.

### Nexus Packaging Ltd.

7 Centurion Business Park, Shields Road, Glasgow, G41 1HH

Tel: 0141 429 2525 | Fax: 0141 429 2060 | Email: admin@nexpack.co.uk

REGISTERED IN SCOTLAND: No. SC262044 | VAT No. 829 6449 83