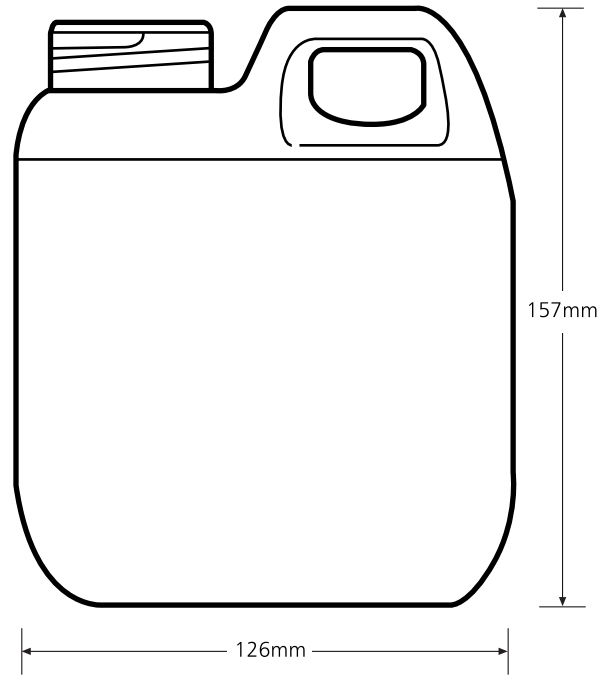


## JERRYCAN 1L



### Container

Size	Material	Weight	Neck Finish	UN Approval	No. Pallet
1 Litre	HDPE	40g +/- 2	38mm	UN Combination Approved / BRC Approved	840 (7 layers)

### Applications:

Agrochemical, Automotive, Food & Drink, Household, Industrial, Janitorial / Cleaning Chemicals, Medical, Personal Care, Pet Care, Pharmicare.

### Nexus Packaging Ltd.

7 Centurion Business Park, Shields Road, Glasgow, G41 1HH

Tel: 0141 429 2525 | Fax: 0141 429 2060 | Email: [admin@nexpack.co.uk](mailto:admin@nexpack.co.uk)

REGISTERED IN SCOTLAND: No. SC262044 | VAT No. 829 6449 83